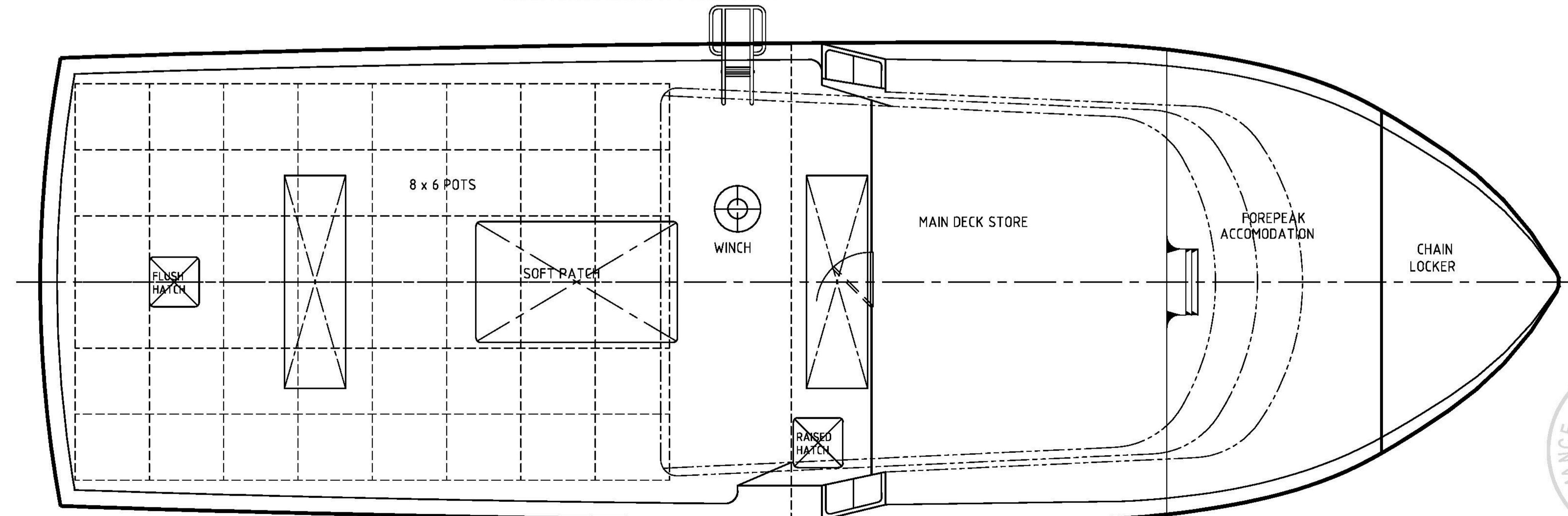
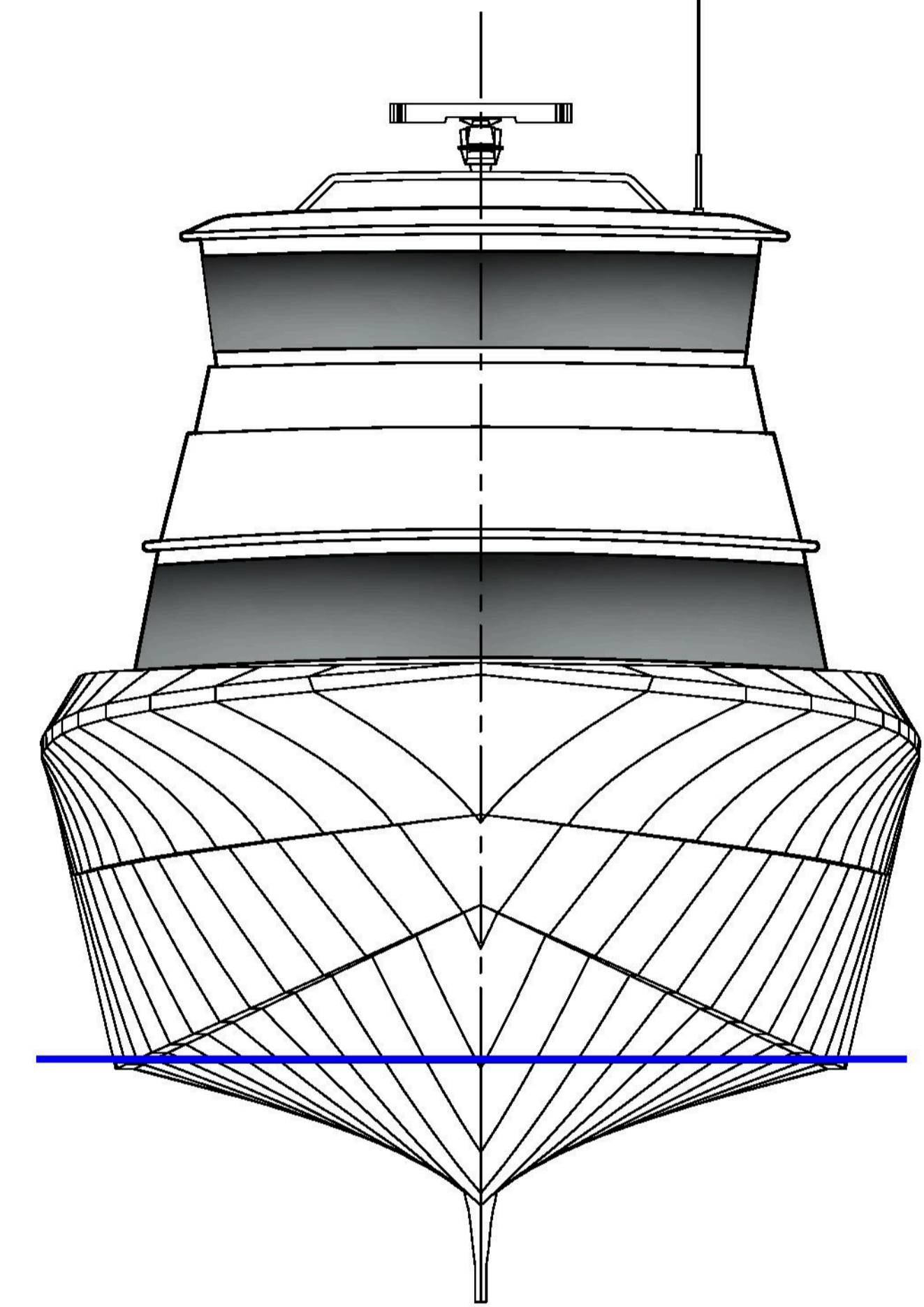
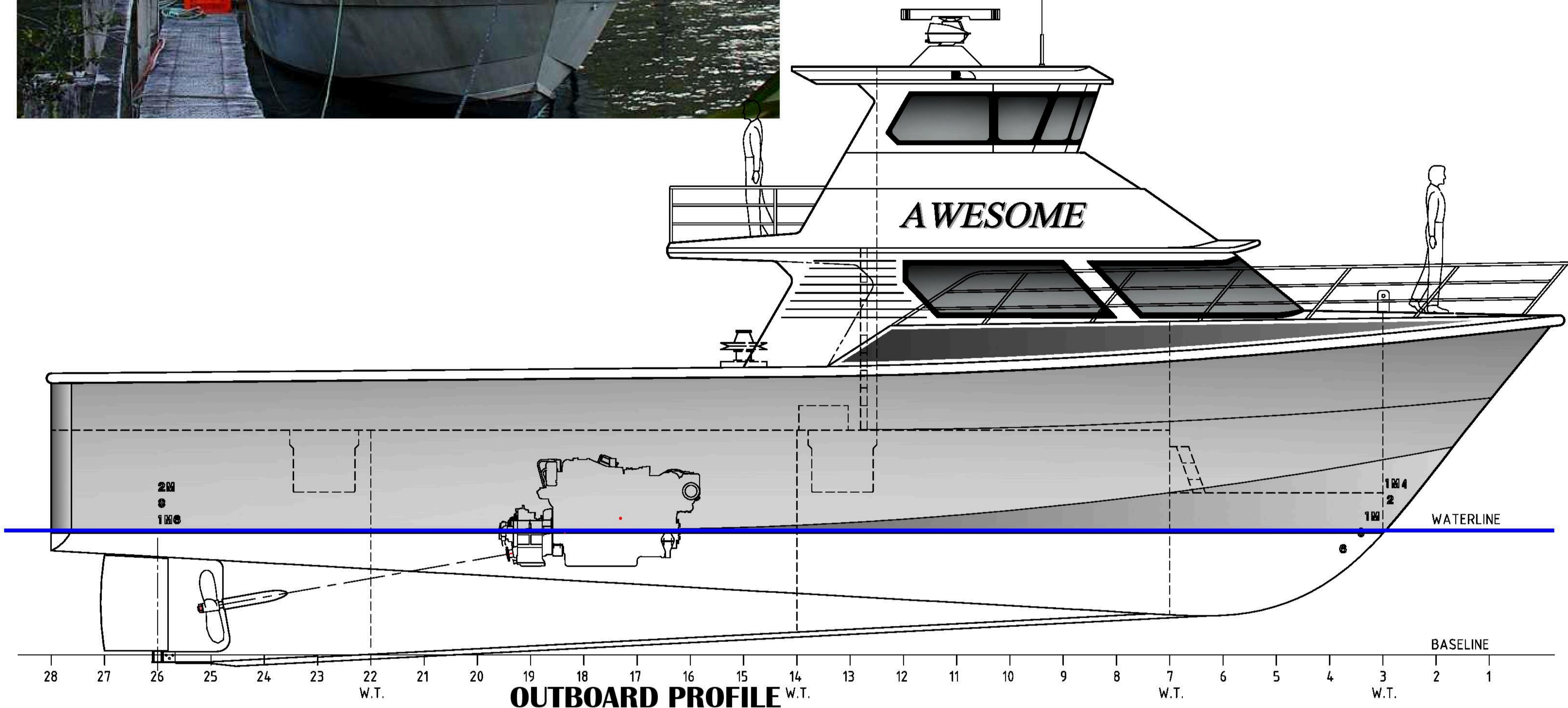


# 18.4m (60') ROCK LOBSTET MONOHULL

- 24 Knot Sprint
- Enclosed Wheelhouse

## A WESOME



### VESSEL PARTICULARS

LENGTH OVERALL	18.40 m (60' 4")
LENGTH WATERLINE	16.27 m (53' 5")
MAXIMUM BEAM	5.75 m (18' 10")
DRAUGHT (APPROX)	1.60 m (5' 3")
FUEL	4000 l
DISPLACEMENT (LIGHTSHIP)	17000 kg
ENGINE - CAT 3412 ( 1050 BHP @ 2300 RPM)	
MAXIMUM SPEED (LIGHTSHIP)	30 KNOTS
CLEAR DECK LENGTH (TRANSOM TO MAIN BULKHEAD)	10.80 m ( 35' 5")



		<small>Global Marine Design Pty Ltd 5 / 43 Burlington Street Naval Base, Western Australia 6165 T: +61 (0)8 9437 1319 F: +61 (0)8 9437 2030 globalmarinedesign.com ABN:11 101 353 851</small>	
DRN G.M.D.	CLIENT	TITLE	REV
APPD G.M.	VESSEL 18.4m CRAYBOAT	GENERAL ARRANGEMENT	A
DATE 11.07.00	BUILDER	A1 DRG No 93066/010101-PHOTO	SCALE 1:35 SHEET 1 OF 1
DESIGN No. 93066			